



Product **Zebra Technologies Corporation**

Producer 333 Corporate Woods Parkway
Vernon Hills, IL 60061 U.S.A.

Product Models: Xi Series
Description 105SL

Hazardous Substances This product may contain the following substances:

and Preparations

- Hexavalent Chromium may be present in trace amounts in the metal fasteners, brackets and other metal structural components.
- Lead may be present in the PCBAs used in this product.

Batteries Certain options of this product may contain a lithium-ion (Li-Ion) type battery located on the main control PCBA. This battery must be disposed of in accordance with local regulations.

Packaging The packaging materials used for this product do not contain any of the banned materials listed in the EU packaging directive.

If a Compact Disc (CD) is supplied, it is made from a recyclable polycarbonate material.

Information on the assessment of the packaging scheme for this or other Zebra products can be found at: <http://www.zebra.com/environment>.

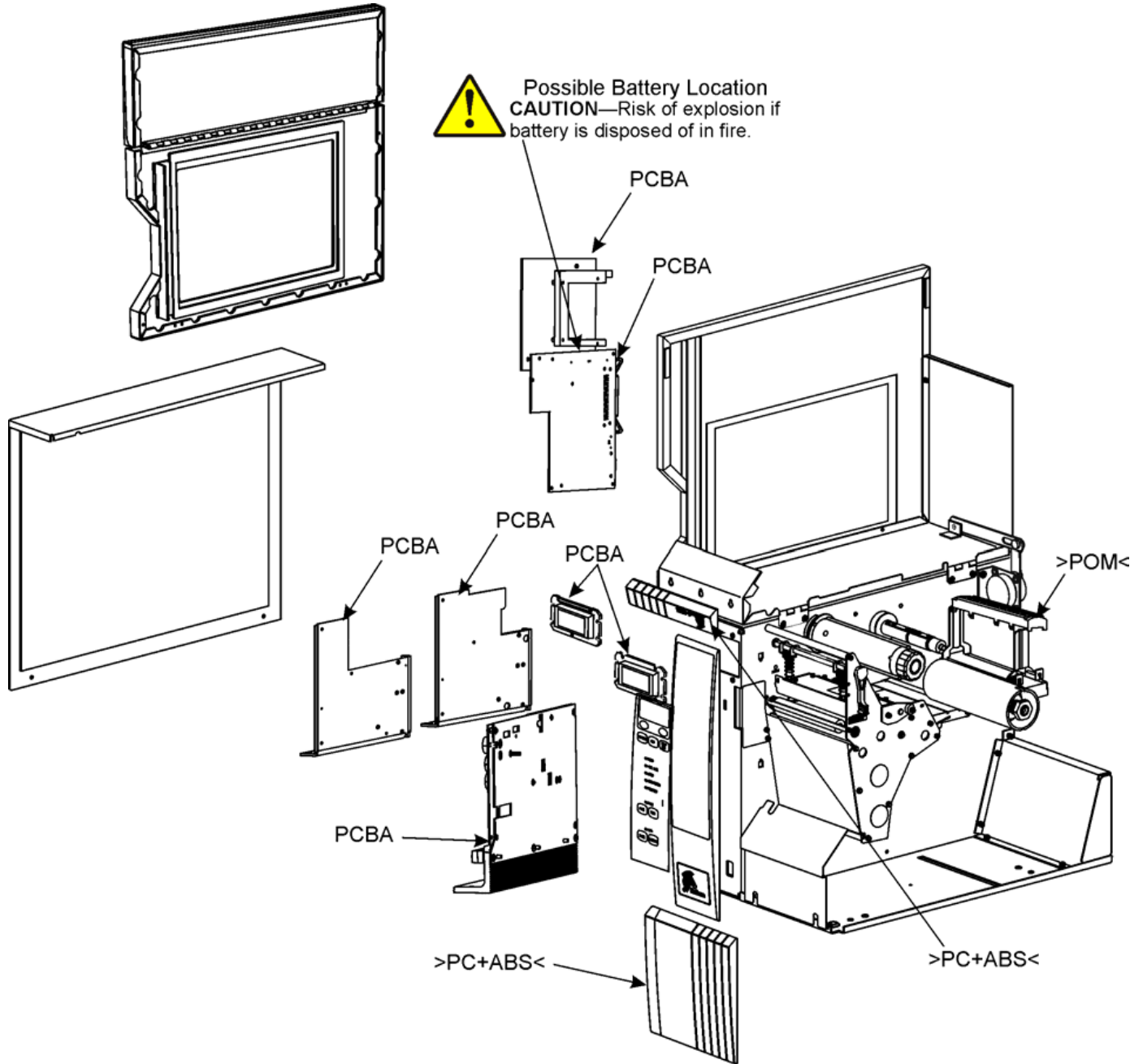
Recycling Information Zebra Technologies offers product recycling programs in certain geographic areas. To determine if a program is available for this product in your area, please refer to our web site at: <http://www.zebra.com/environment>.

This product is designed with the following features to enhance recycling:

- Glues and adhesives have been eliminated from product construction where feasible.
- Use of common fasteners and/or snap-in features.
- Plastic parts weighing more than 25g are marked according to ISO 11469 standards except where impractical. Exceptions are noted in the following drawing.



Xi Series and 105SL



This document was compiled from information available at the time of publication and is issued only as an information source. No warranty as to accuracy or completeness is expressed or implied. This document is subject to change without notice.